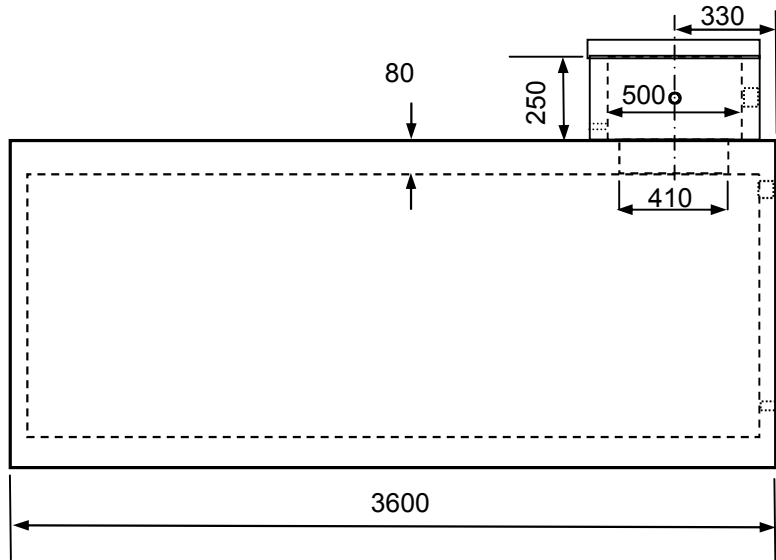


Concrete 6,300 Litre Underground Tank

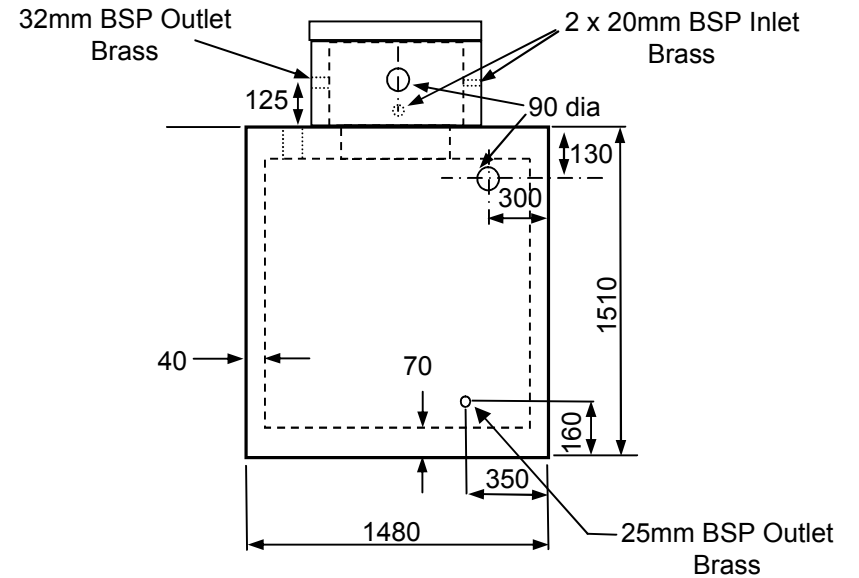
PLAN



50mm lid to suit with rebate and lifting plug



ELEVATION



END ELEVATION